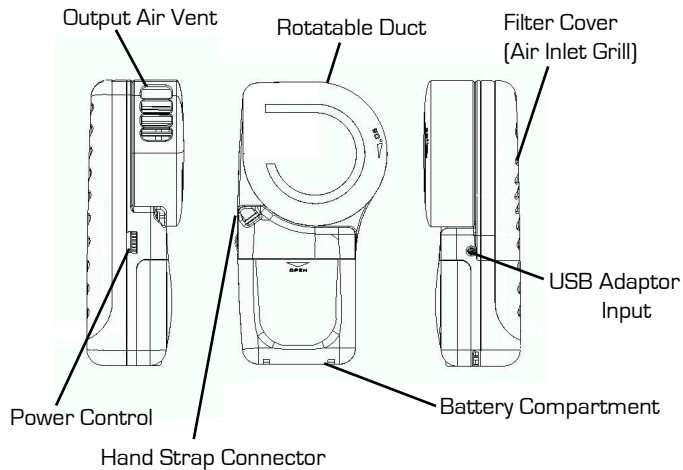


INSTRUCTIONS

HC-7717 version 2.12

READ ALL INSTRUCTIONS BEFORE USING THE APPLIANCE.
SAVE THESE INSTRUCTIONS.

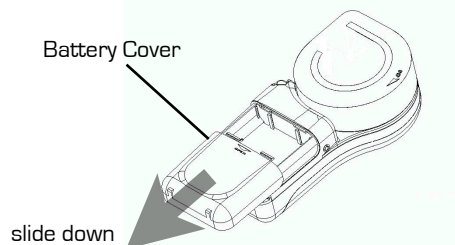
Product Description



Installing the batteries

The battery compartment is located on the handle, behind the hand strap.

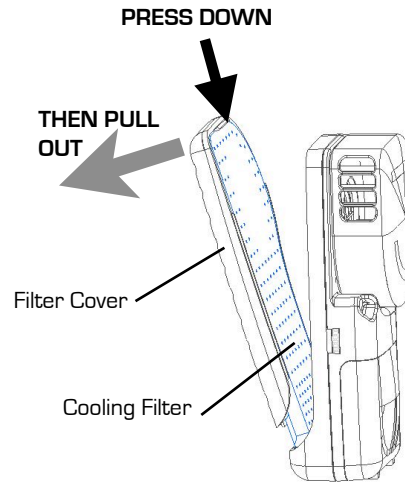
- 1) To remove, slide the battery cover down.
- 2) Install four new AA alkaline batteries.
- 3) Replace the battery cover.



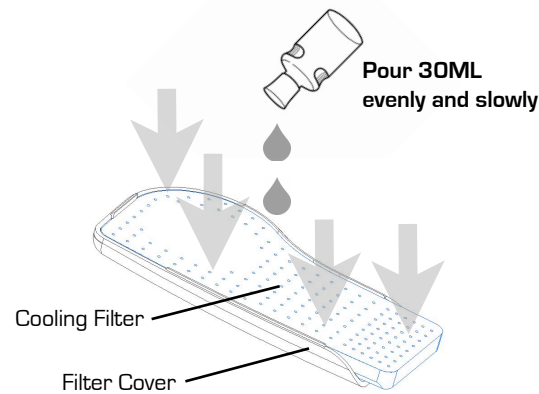
1

Installing the cooling filter

- 1) Turn the unit OFF.
- 2) Remove the filter cover **together with** the cooling filter by pushing on the top lever and pulling outwards.

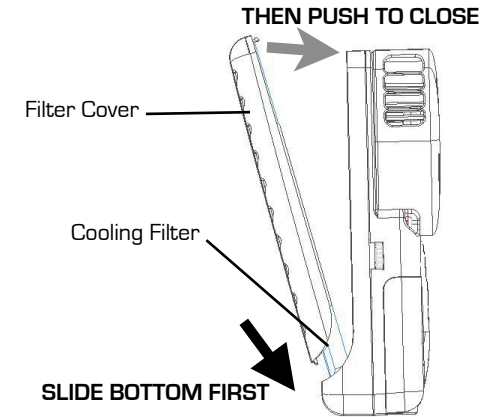


- 3) **(FIRST TIME USE:** Remove filter from cover. Soak the cooling filter under tap water and massage thoroughly with soap. Treat this sponge-material filter with care. Do not apply vigorous force while washing.)
- 4) If residual water from previous applications remain on the filter: remove the filter from the cover, then squeeze out any residual water from the cooling filter.
- 5) With the cooling filter **placed on** the cover lying flat as depicted below; fill water bottle included with either tap, distilled or mineral water; then pour 30ML **EVENLY** and **SLOWLY** throughout the surface.



2

- 6) Replace the filter cover together with the filter by inserting with bottom pivot first, then pushing the cover towards the main unit to lock close.



Note: Do not over-soak the cooling filter. Do not soak under running tap water. It is difficult to soak accurately 30ML of water. Always use the water bottle.

Note: The unit is not waterproof. Avoid external water contact.



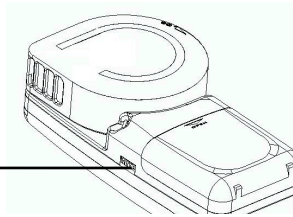
Note: If water leakage is experienced during operation, you have poured too much water into the filter (see step 5); or you have not squeezed out excessive water properly before soaking the filter (see step 4).



3

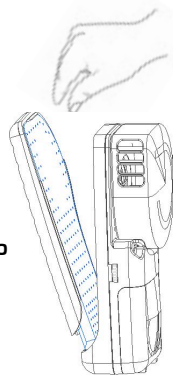
Operation

A single dial on the side of the housing controls the main power and air speed of the air cooler.



Power Control Dial

- 1) To turn the unit ON, rotate the dial away from the OFF stop.
- 2) Rotate until the desired speed is reached.
- 3) Turn the air duct to adjust output direction.
- 4) Re-soak the filter (see **Installing the cooling filter**) when reduced cooling is experienced. Open the cover and touch the cooling filter to confirm the sponge is dried. Timing will vary according to use and ambient environment (approx. 1/2 hour to 3 hours).



Periodically, touch filter to ensure it remains wet. If dried, re-soak the filter.

NOTE: The filter MUST BE WET for effective cooling to take place. If not, follow **Installing the cooling filter**.

NOTE: Adjust to a lower power setting to save battery life. Higher air speed settings will drain batteries quicker.

USB Power

Instead of batteries, the USB port on a computer can be used to power the air cooler.

- 1) Connect the DC plug on the USB cable to the adapter input jack on the side of the unit.
- 2) Connect the USB plug to the USB jack of your computer or other USB device.

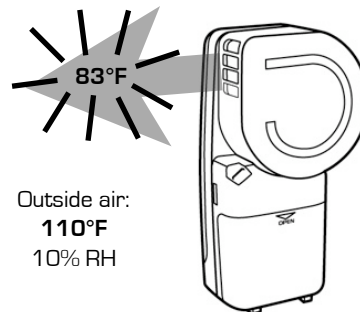
Best cooling results

Use device in hot and dry environments for maximum cooling. The cooling effect is based on the theory of evaporation. Drier environments allow more evaporation to take place therefore causing more cooling. To learn more, please visit our website.

The following is a table of the approximate temperature drop measured from output air vents with given environment temperature and humidity, in Celsius and Fahrenheit.

Ambient temp. °C	Ambient Relative Humidity (%)									
	10	20	30	40	50	60	70	80	90	
10	5	4.1	3.4	4	2	1.9	2	1	0.4	
15	5.6	4.9	4.1	3.4	3	2	2	1.1	1	
20	8	6	5	4.1	3.4	2.6	1.9	1.1	1	
25	8.5	7	6	4.9	4	3	2	2	1	
30	11.0	9.0	8	6.4	5	4	3.4	2	1	
35	14	12	9	7	5.6	4	2.6	1.9	1	
40	16	13.5	9	7	5.6	4.1	3	1.9	1	
45	-	14	10.0	8	6	5	3.4	2	1	
50	-	15	12.0	8	7	4.9	4	2	1.1	

Ambient temp. °F	Ambient Relative Humidity (%)									
	10	20	30	40	50	60	70	80	90	
50	9	8.3	6.8	6	5	3.8	3	2	0.8	
60	11.3	9.8	8.3	6.8	6	5	3	2.3	2	
70	15	14	11	8.3	6.8	5.3	3.8	2.3	2	
80	18.0	16	12	9.8	8	6	5	3	2	
90	22.0	17.0	15	11.3	9	8	5.3	3	2	
100	24	20.3	19	14	11.3	8.3	6	3.8	2	
110	27	23	20.0	15	12	9	6.8	5	2	
120	30	25	22.0	15	12	9	6.8	5	2	
130	-	27	23.0	17	14	9.8	8	5	2.3	

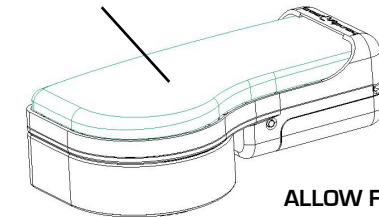


e.g. In a place where it is 110°F, and 10% relative humidity, the device will cool the air by 27°F, which equates to an output air temperature of 83°F.

Maintaining your cooling filter

After every operation, remove the filter cover, squeeze out excessive water from the filter and allow the filter to air dry as illustrated.

Cooling Filter



ALLOW FILTER TO AIR DRY

For best results, periodically wash your cooling filter with antibacterial soak before use.

NOTE: Treat cooling filter with clean hands.

Handstrap

The removable hand strap can be adjusted to suit your hand size. Open the hand strap cover and adjust the velcro strap accordingly.

Aromatherapy scents

You can use your own aromatherapy oils on the cooling filter for a scented breeze. Drip a few drops of essential oils (not included) on the surface of the filter after soaking it wet (see **Installing the cooling filter**). Wash thoroughly after use.

Do not mix different scents on same filter.

Note: Due to continuing improvements, actual product may differ from the product images included in this instruction pamphlet.

www.handycooler.com

2010 Genexus Innovations